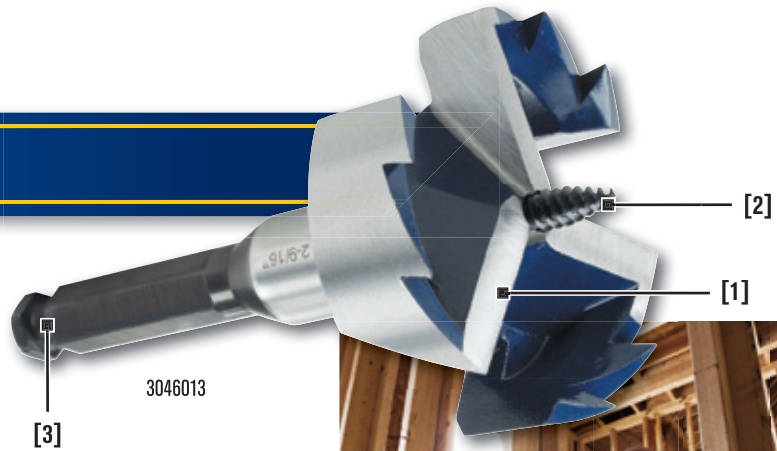


SPEEDBOR MAX SELF-FEED BIT FEATURES

1. Three re-sharpenable cutting edges are hardened for extreme durability and long life in tough materials.*
2. Replaceable screw-point tip pulls bit fast for clean, true holes.
3. 7/16" hex quick-change shank reduces slipping in standard chucks and is compatible with all 7/16" impact drills.



3046013



WOOD DRILLING

* 2 cutting edges on sizes 3" and larger

SPEEDBOR Max Self-Feed Wood Bits



3046010



4935655



3046002

Diameter	Shank Size	Overall Length	Item #
1"	7/16"	5"	3046004
1-1/8"	7/16"	5"	3046005
1-1/4"	7/16"	5"	3046006
1-3/8"	7/16"	5"	3046007
1-1/2"	7/16"	5"	3046008
1-3/4"	7/16"	5"	3046009
2"	7/16"	5"	3046010
2-1/8"	7/16"	5"	3046011
2-1/4"	7/16"	5"	3046012
2-9/16"	7/16"	5"	3046013
3"	7/16"	5"	3046014
3-5/8"	7/16"	5"	3046015
4-5/8"	7/16"	5"	3046016

Replacement Tips - Includes (5) Screw Tips, (5) Set Screws, and (1) Hex Key

Self-feed tips 1" - 1-3/8" bits	1792762
Self-feed tips 1-1/2" - 2-9/16" bits	1792763
Self-feed tips 3" - 4-5/8" bits	1792764

Lock-n-Load® Quick-Change Extensions

7/16" Quick-Change Bit Holder 5-1/2" OAL / 1-1/16" OAW	4935654
7/16" Quick-Change Bit Holder 12" OAL / 1-1/16" OAW	4935655
7/16" Quick-Change Bit Holder 18" OAL / 1-1/16" OAW	4935656

Manual Locking Hex Key Extensions

7/16" Manual Locking Hex Extensions 5-1/2" OAL / 1-1/16" OAW	3046001
7/16" Manual Locking Hex Extensions 12" OAL / 1-1/16" OAW	3046002
7/16" Manual Locking Hex Extensions 18" OAL / 1-1/16" OAW	3046003