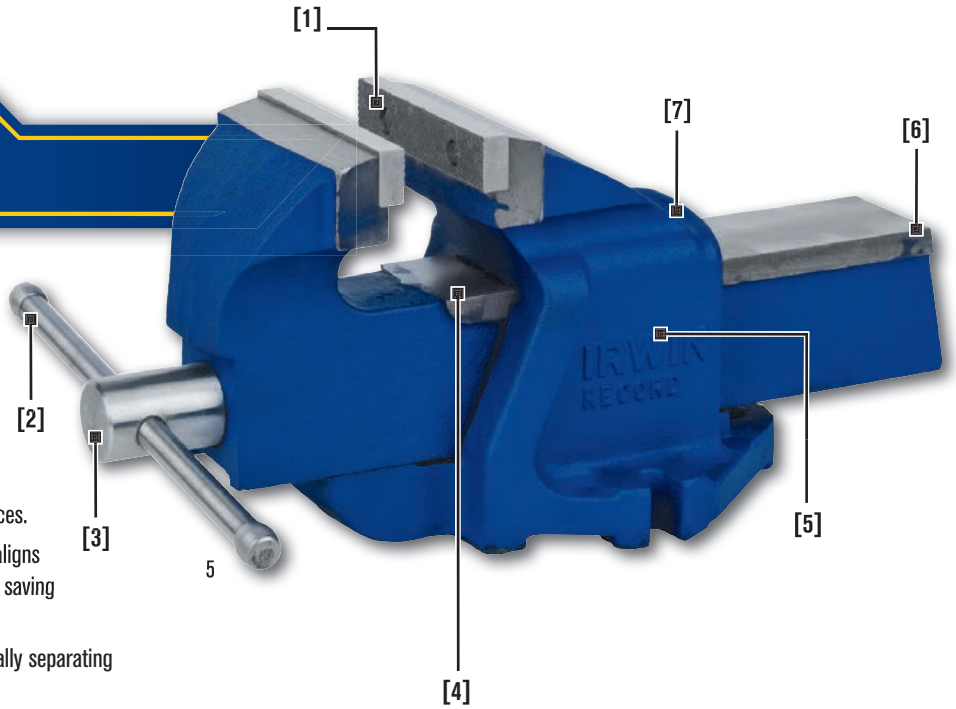


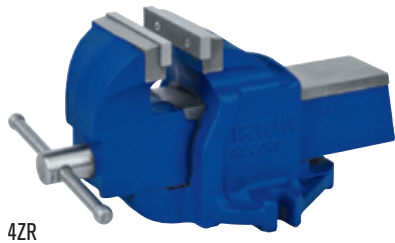
Record® Mechanics Vises

RECORD MECHANICS VISE
FEATURES

1. Replaceable hardened steel jaws.
2. Fused steel handle bends before vise can be overstressed.
3. Machined steel mainscrew with rolled two-start acme thread for wear-resistance and smooth operation.
4. Fully-machined on all load-bearing surfaces.
5. Internal SG nut takes load, secures and aligns mainscrew. Can be replaced when worn, saving cost of replacement of whole vise body.
6. Safety stop prevents slide from accidentally separating from body.
7. Lip on back body guides filings and fragments away from the slide.



4-1/2" Mechanics Vise



4ZR

Description	Weight	Pack Qty	Item #
3" Mechanics Vise	12 lbs	1	1ZR
4" Mechanics Vise	33 lbs	1	3
4-1/2" Mechanics Vise T4	42 lbs	1	4ZR
5" Mechanics Vise T5	53 lbs	1	5
6" Mechanics Vise T6	70 lbs	1	6
8" Mechanics Vise T8	84 lbs	1	8ZR

6" Mechanics Vise



6

VICES