

Instruction Manual



US Patent # 5,862,727

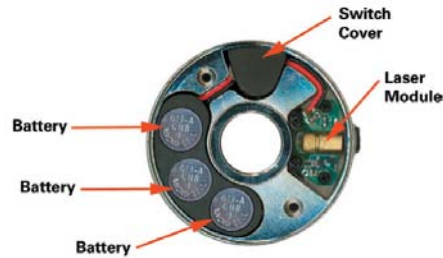
© 2005
IRWIN
 Industrial Tools
 Huntersville, NC 28078
 U.S.A.
 1-800-GO-IRWIN
 www.irwin.com

CHANGING THE BATTERIES

Unplug your saw

WARNING: Failure to unplug your saw could result in accidental starting causing possible serious personal injury.

Remove the laser guide from the saw. Lay the laser guide on a flat surface with the two allen screws facing upward. Remove the screws using the supplied allen wrench and separate the cover from the base.



Note: Do not make contact with the switch or laser module.

When replacing the batteries take this opportunity to clean out any sawdust and debris inside the laser guide.

DO NOT ATTEMPT TO ACTIVATE THE LASER

The laser is activated by means of a centrifugal switch only while the saw motor is running and the laser guide is mounted on the saw.

After cleaning the laser guide and replacing the batteries, secure the cover to the laser guide using the two allen head screws. Hand tighten the screw first then tighten the screws evenly using the supplied allen wrench.

WARNING: AVOID DIRECT EYE EXPOSURE TO LASER BEAM

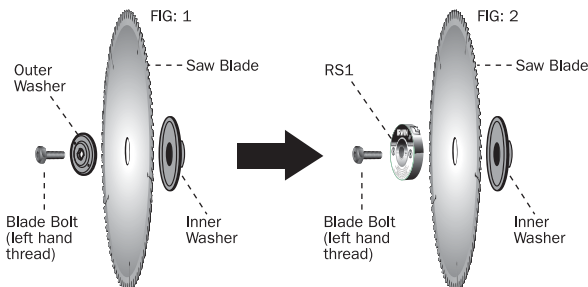
MAXIMUM OUTPUT 5mW
 WAVELENGTH 650nm
 Class IIIa Laser Product

WARNING: Read and follow all instructions and WARNINGS prior to use. Failure to do so can result in serious bodily injury.

MOUNTING THE LASER GUIDE

WARNING: This IRWIN Miter Saw Laser Guide is recommended for use on 8 1/4, 10" - 12" miter saws with 5/8" arbors. The LASER guide is not recommended for saws containing interlocking arbors, bolt arbors and arbors other than 5/8".

- 1) UNPLUG MACHINE.
- 2) Remove the arbor bolt and outer washer.
- 3) Position the flat surface of LASER guide against the blade. The "DANGER" label should be facing away from the blade. Note: The LASER guide **replaces** the outer blade washer that came with your saw.
- 4) Install the arbor bolt. Verify the arbor bolt has at least 4 complete threading turns during installation. If the arbor bolt supplied with the saw does not provide 4 complete threading turns, use one of the replacement bolts supplied with the LASER. **Do not use this product if 4 complete threading turns cannot be achieved with the arbor bolt.** Securely tighten anchor bolt in accordance with your saw's instructions.



OPERATION

The LASER guide will generate a bright laser line on the work surface when the saw blade is spinning above 500rpm. The LASER guide projects a bright laser line through the cutting path of your saw.

ALIGNMENT

Align the LASER line and your cut mark. Once both lines are in alignment, do not move the work piece until after you have finished cutting. Make several practice cuts on different styles and thickness of material before making a final cut.

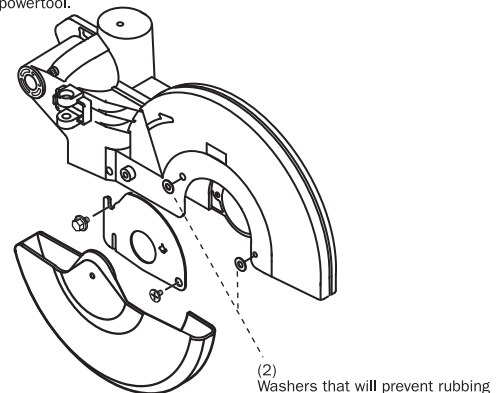
After you have become familiar with using your laser guide you will be able to remove, cut or leave your mark on the work surface.

TROUBLESHOOTING

LASER Guide rubs against guard:

This can be fixed by placing the (2) washers provided behind the two screws of the blade guard plate, between the guard and the saw body. This will give added clearance between the guard and the LASER guide. It should not have an effect on the performance of the blade guard. If it does, refer to the operation manual for your power tool.

FIG: 3



LASER Guide doesn't fit my saw:

This LASER guide can be used on any 12" miter saw that does not have interlocking blade flanges, or bolt arbors, this is where the inner blade flange protrudes through the arbor hole in the saw blade. 12" saws that may have this arbor configuration include some: 12" DeWalt, 12" Bosch, 12" Rigid & 12" Protech

On some older DeWalt 704 & 705 machines the LASER guide will not tighten against the saw blade, causing the blade to spin after the saw motor has stopped. Contact IRWIN customer service **1-800-GO-IRWIN** and we will send out a retro fit back washer free of charge.

WARNING: Inadequate clearance between the head of the arbor bolt and the blade guard can result in unsafe operating conditions causing serious bodily injury. During and after LASER installation be sure the blade guard does not contact the arbor bolt or LASER guide. Do not use this product if the arbor bolt or laser guide contacts the blade guard during or after installation. The blade guard must be able to move freely during operation to avoid potential safety hazards.

WARNING: The LASER guide emits laser radiation, avoid direct eye exposure to the laser beam.

MAXIMUM OUTPUT <5mW
 WAVELENGTH 650nm
 Class IIIa LASER Product