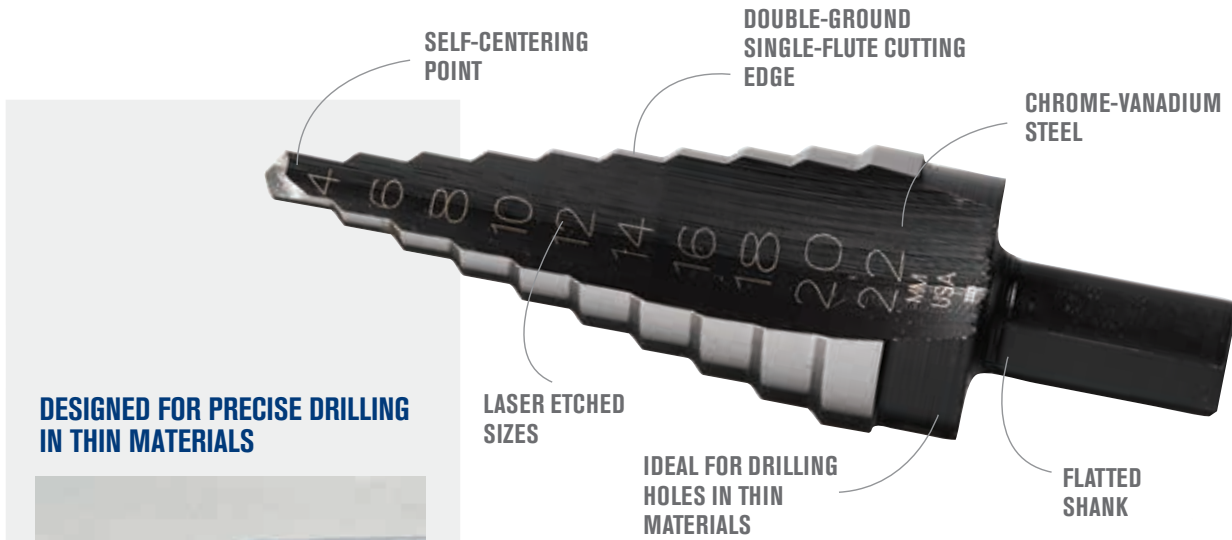




## STEP DRILLS



**DESIGNED FOR PRECISE DRILLING IN THIN MATERIALS**



- 1. SELF CENTERING POINT**  
Will not walk and eliminates the need for centre punching.
- 2. CHROME-VANADIUM STEEL**  
Drill bit body is hardened to 56 HRC for durability.
- 3. DOUBLE-GROUND SINGLE-FLUTE CUTTING EDGE**  
For extra chip capacity, drilling of true, round holes and provides maximum step control.
- 4. IDEAL FOR DRILLING HOLES IN THIN MATERIALS**  
Including mild steel, copper, brass, aluminium, plexiglass, plastic, wood and laminates.
- 5. FLATTED SHANK**  
Prevents the drill bit from slipping in the chuck.
- 6. LASER ETCHED SIZES**  
Inside flute for easy and permanent hole size identification.



ITEM NO.	DESCRIPTION	EAN	MASTER PACK	SHELF PACK
10502850	1M 9 Hole sizes (4mm - 12mm), 1mm increments	38548111018	5	1
10502851	2M 5 Hole sizes (4mm - 12mm), 2mm increments	38548111025	5	1
10502852	3M 7 Hole sizes (6mm - 18mm), 2mm increments	38548111032	5	1
10502853	4M 10 Hole sizes (4mm - 22mm), 2mm increments	38548111049	5	1
10502854	5M 13 Hole sizes (5mm - 35mm), 2 - 3mm increments	38548111056	5	1
10502855	PG29M10 Hole sizes 5, 7.5, 10, 12.5, 15.2, 18.6, 20.4, 22.5, 25.5, 28.3mm	38548111940	5	1
10502856	29MM 10 Hole sizes 5, 7.5, 10, 13, 16, 19, 21, 23, 26, 29mm	38548111957	5	1
10502857	ISO/PG13 Hole sizes 5, 7.5, 9.7, 12.7, 15.2, 16.2, 18.6, 20.4, 22.5, 25.4, 28.3, 30.5, 32.5mm	38548111967	5	1
10502863	20M 6 Hole sizes (14 - 24mm)	38548112206	5	1
10502864	21M 8 Hole sizes (20 - 34mm)	38548112213	5	1